



NSSLGlobal
ON LAND | ONBOARD | ONLINE



Starlink Antenna Dish



Starlink Power Supply Unit

FUSION^{IPL}EO - Starlink

Why NSSLGlobal?

NSSLGlobal, as a certified reseller of the Starlink service can offer its Maritime customers a full range of airtime and hardware packages, all delivered through its FUSION^{IPL}EO service and SMART@SEA appliance that makes it the right choice for the customer.

The NSSLGlobal FUSION^{IPL}EO service fuses together the best-in-class VSAT maritime service with the Starlink service, this fusion of services provides a high availability business critical comms service with a high throughput, low latency connection to enhance your business and crew welfare. The SMART@SEA appliance provides customers with an array of VAS, of which the SD-WAN network management solution provides customers with greater control of the communication bearer to maximise performance by guaranteeing higher bandwidth to apps and business-critical activities in line with your business goals.

The Starlink satellite constellation consists of 4000 LEO Space X satellites, the Starlink service operates within the Ku band (12.2-12.7 GHz) and can deliver speeds from 40Mbps to 350Mbps download and 8Mbps to 40Mbps upload with a low latency between 25-50ms.

NSSLGlobal Features

- NSSLGlobal Support – 24/7 global technical support
- Ruggedised Starlink hardware- Developed by NSSLGlobal
- Rental/Managed service options available
- Integrated into its SMART@SEA appliance and providing key VAS
 - SD-WAN Network Management
 - Security Management
 - UNITE Management Internet
 - Crew & Entertainment Services
- INSIGHT Portal for management of service
- NSSLGlobal's Premium voice service
- Support with installation and integration of onboard networks
- Global extended warranty and advanced replacement

Find further information overleaf alongside details of your local office.

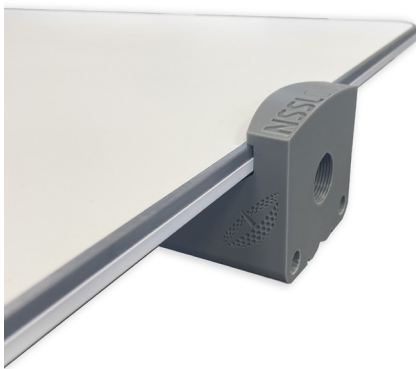


NSSLGlobal

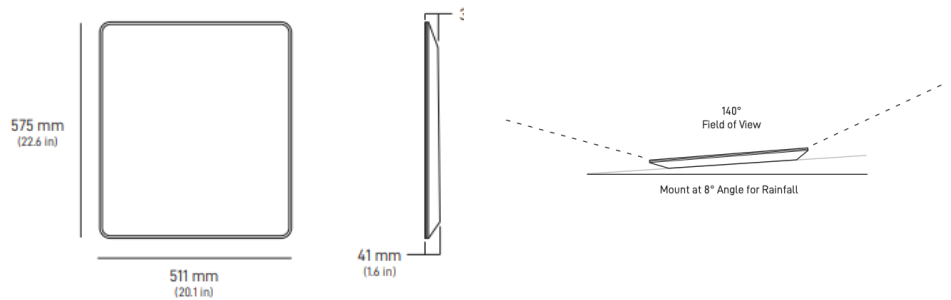
ON LAND ■ ONBOARD ■ ONLINE

Flat High Performance Technical Specification:

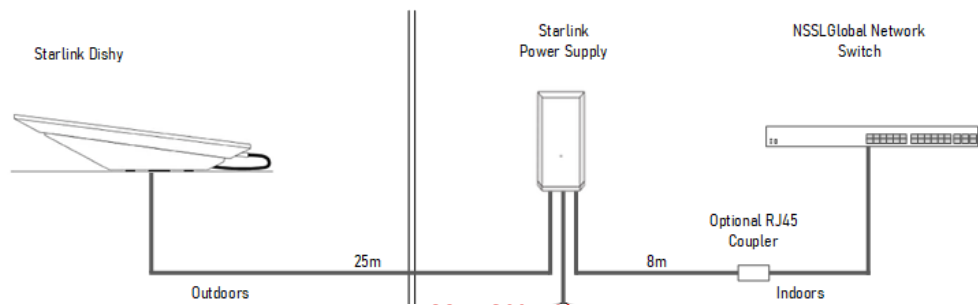
Antenna	Electronic Phased Array
Field of View	140°
Orientation	Fixed
Dish Weight	5.9 kg / 13 lbs without Cable 6.7 kg / 15 lbs with 8 m / 26.2 ft Cable
Environmental Rating	IP56
Operating Temperature	-30°C to 50°C (-22°F to 122°F)
Wind Speed	Survivable: 280 kph+ (174 mph+)
Snow Melt Capability	Up to 75 mm / hour (3 in / hour)
Power Consumption	Average: 110-150 W
Wi-Fi	Dual Band Wi-Fi 5- 3x3 MIMO
User LAN	RJ45 Cable



Starlink with the weatherproof block



Terminal



United Kingdom (HQ)	Tel: +44 1737 648 800	Email: enquiries@nsslglobal.com	Denmark	Tel: +45 3670 3603	Email: info.dk@nsslglobal.com
Germany Hamburg	Tel: +49 40 682770	Email: info@nsslglobal.com	Poland	Tel: +48 22 404 78 64	Email: sales.pl@nsslglobal.com
The Netherlands	Tel: +31 (0)85 073 4010	Email: info@nsslglobal.com	Singapore	Tel: +65 6358 3991	Email: enquiries.sg@nsslglobal.com
Sweden	Tel: +46 31 990 777	Email: enquiries.sweden@nsslglobal.com	USA	Tel: +1 504 800 6290	Email: enquiries.usa@nsslglobal.com
Norway	Tel: +47 67 535 337	Email: support.no@nsslglobal.com			